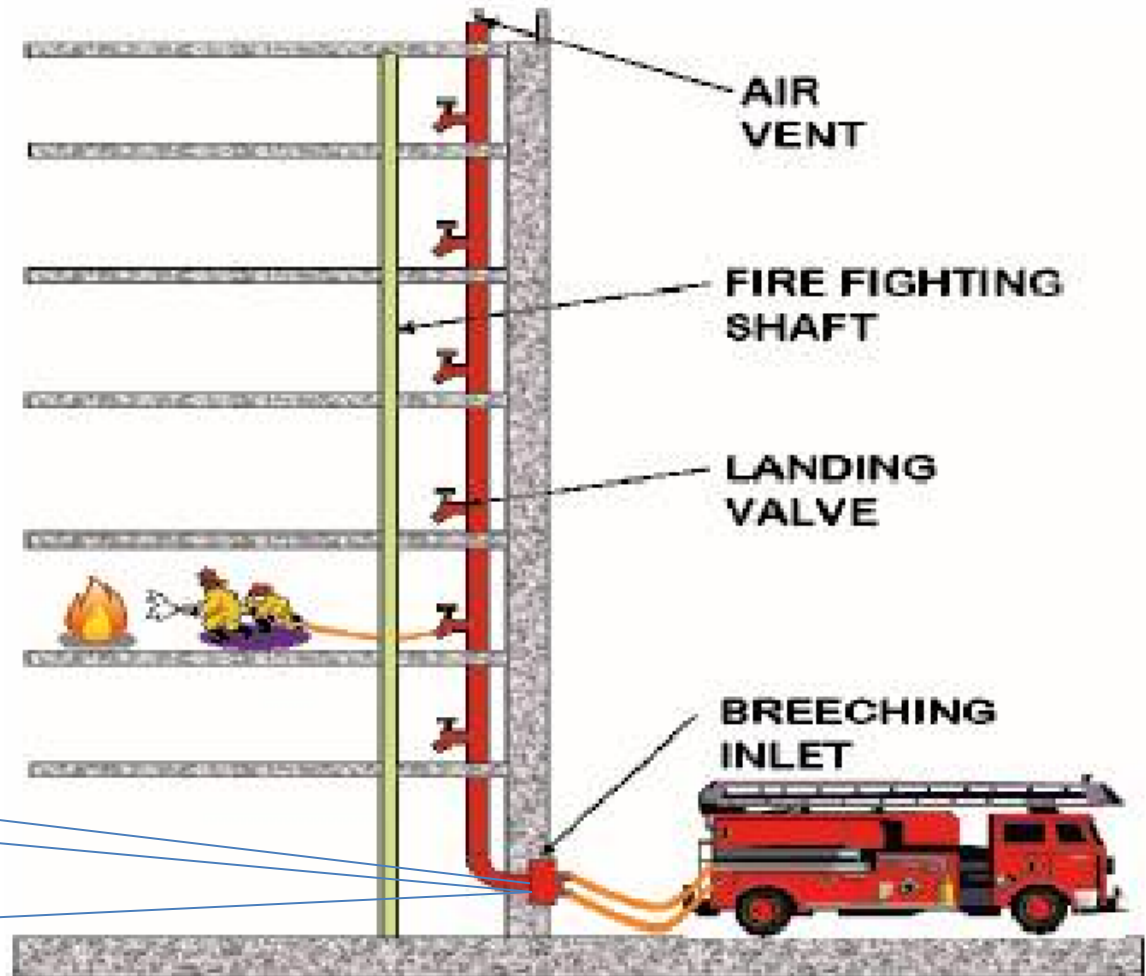


BREECHING INLET

DEFENDER

Breeching inlets are suitable for installation on dry risers only, in a building for firefighting purposes, fitted with inlet connection at fire brigade access level and outlet connection at specified points, which is normally dry but capable of being charged with water by pumping from the service appliances. The Breeching inlets are manufactured to comply BS 5041 Part-3: 1975 standard comprising of Male Instantaneous connections complying with BS 336:1989, drain valves PN16 rated and non-return valves.



DRY RISING MAIN

BREECHING INLET

Single-Way



DEFENDER Breaching inlets are suitable for installation on dry risers only, in a building for firefighting purposes, fitted with inlet connection at fire brigade access level and outlet connection at specified points, which is normally dry but capable of being charged with water by pumping from the service appliances. The Breaching inlets are manufactured to comply BS 5041 Part-3: 1975 standard comprising of Male Instantaneous connections complying with BS 336:1989, drain valves PN16 rated and non-return valves.

TECHNICAL DATA

Inlet	1 no Male instantaneous coupling with NRV to BS 336 Gunmetal
Outlet	3" Flange 150 Class with 152 PCD
Material	Cast Brass
Working Pressure	08 Bar
Test Pressure	15 Bar



Defender/FFE/BI/0001-1-Way-2.5"

BREECHING INLET

2-Way



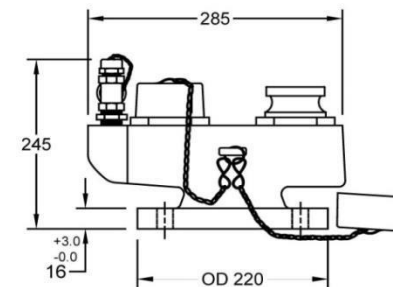
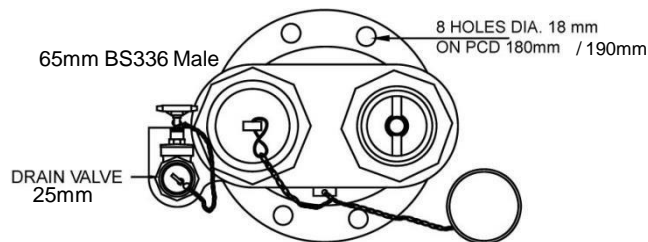
DEFENDER Breeching inlets are suitable for installation on dry risers only, in a building for firefighting purposes, fitted with inlet connection at fire brigade access level and outlet connection at specified points, which is normally dry but capable of being charged with water by pumping from the service appliances. The Breeching inlets are manufactured to comply BS 5041 Part-3: 1975 standard comprising of Male Instantaneous connections complying with BS 336:1989, drain valves PN16 rated and non-return valves.

TECHNICAL DATA

Inlet	2 no's Male instantaneous coupling with NRV to BS 336:
Outlet	4" Flange 150 class with 190 PCD and 1" Drain Testing Valve
Material	Cast Brass
Working Pressure	10 Bar
Test Pressure	15 Bar



Defender/FFE/BI/0002-2-Way-2.5" x 4"



BREECHING INLET 2-Way Cabinet



TECHNICAL DATA

DEFENDER Breaching inlets cabinet are also available on surface type or canceled type client requirement. Sheet material MS Sheet 18swg / 16swg or SS 304 18swg / 16swg with solid door / front glass with lock .

Red texture powder coating color,

Vertical size : 24inch x 18inch x 12inch / client scope

Horizontal size : 18inch x 24inch x 12inch / client

scope



Surface Horizontal



Recessed Horizontal



Surface Vertical



Recessed Vertical



BREECHING INLET

4-Way



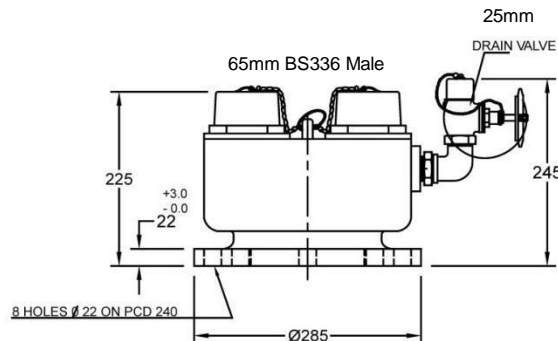
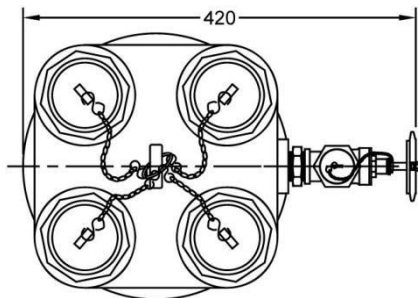
DEFENDER Breaching inlets are suitable for installation on dry risers only, in a building for firefighting purposes, fitted with inlet connection at fire brigade access level and outlet connection at specified points, which is normally dry but capable of being charged with water by pumping from the service appliances. The Breaching inlets are manufactured to comply BS 5041 Part-3: 1975 standard comprising of Male Instantaneous connections complying with BS 336:1989, drain valves PN16 rated and non-return valves.

TECHNICAL DATA

Inlet	4 no's Male instantaneous coupling with NRV to BS 336: 1989
Outlet	6" Flange 150 Class 240 PCD and 1" Drain Testing Valve
Material	Main Body Cast Brass / Mild Steel
Working Pressure	10 Bar
Test Pressure	20 Bar



Defender/FFE/BI/0003-4-Way-2.5" x 6"



BREECHING INLET 4-Way Cabinets



TECHNICAL DATA

DEFENDER Breaching inlets cabinet are also available on surface type or canceled type client requirement. Sheet material MS Sheet 18swg / 16swg or SS 304 18swg / 16swg with solid door / front glass with lock. Red texture powder coating color,

Vertical size : 24inch x 24inch x 12inch

Horizontal size : 24inch x 24inch x 12inch



Surface Horizontal



Recessed Horizontal



Surface Vertical



Recessed Vertical

